

Model	Capacity	$F_n$	$M_x$	$M_y$
Maestro 2.50	5000 kg	28 kN	33,2 kNm	36,5 kNm
Maestro 2.60	6000 kg	32,9 kN	39,8 kNm	43,7 kNm

Note !  
Forces and moments are stated per post.

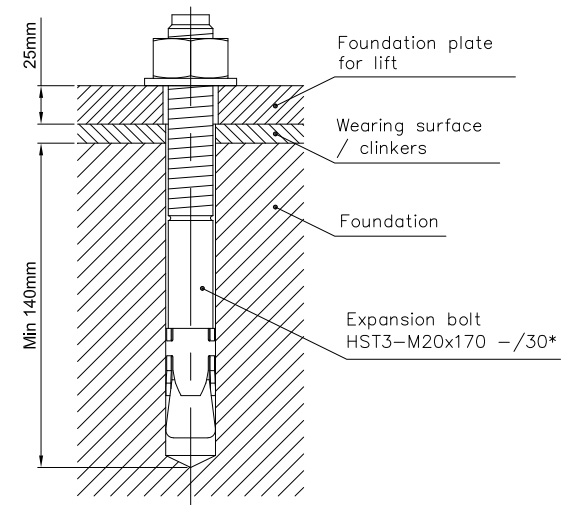
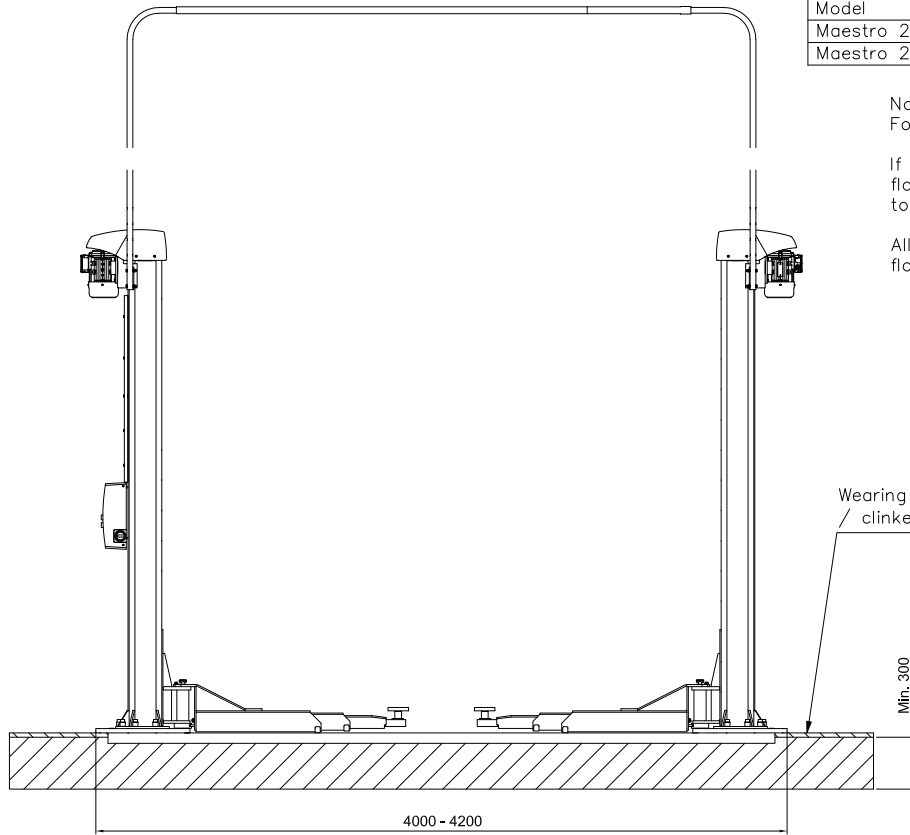
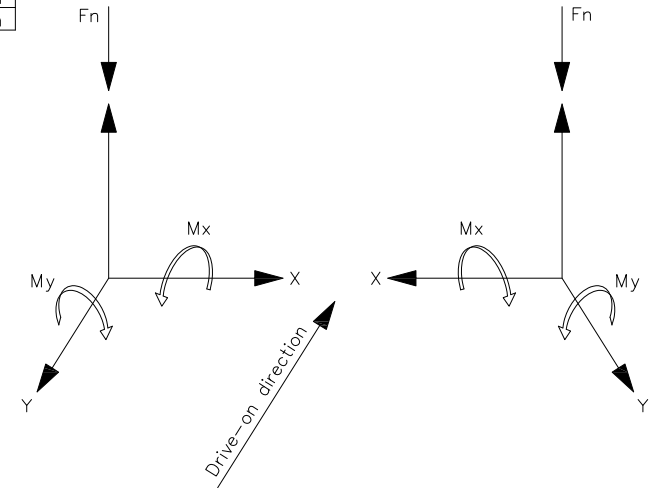
If the lift is to be installed on an existing floor the capacity of the foundation has to be checked by the building owner.

All measures must be checked when the floor is concreted.

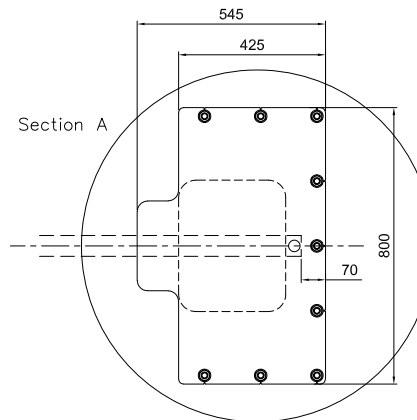
Power supply:  
Power 400Vac/3/50Hz  
+N, +PE, 25A class C (slow)  
2x2,8kW

Wearing surface  
clinkers

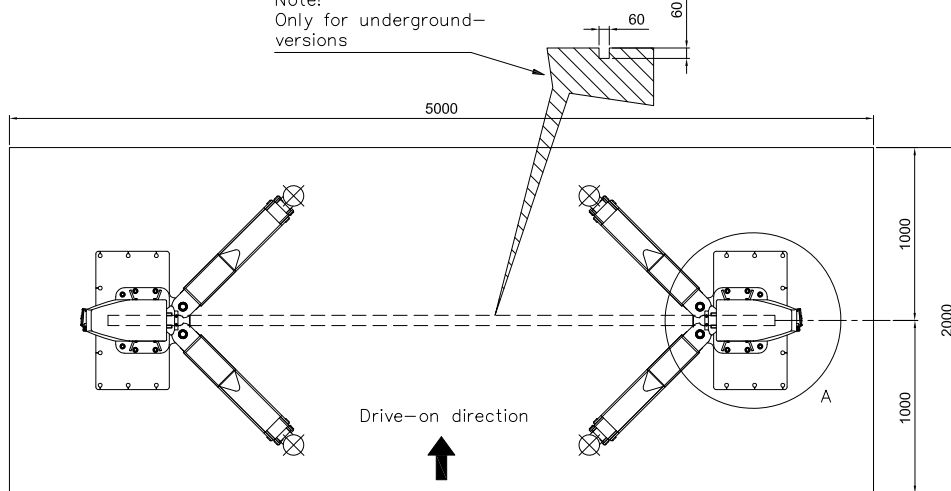
Foundation:  
Minimum thickness without wearing surface:  
min. 300mm  
Quality of concrete: C25/30 (EN206-1)  
The forces and moments must be safely  
dissipated by on-site measures under  
observance of the local conditions.  
THE SPECIFICATIONS OF THE RESPONSIBLE  
STRUCTURAL ENGINEER ARE AUTHORITATIVE.



\*) If alternative attachment is used the properties of this attachment must correspond to the Hilti bolt mentioned.



Note!  
Only for underground-  
versions



All dimensions in mm

Note !  
These instructions are considered as an addendum to the installation instructions of the lift.  
They are only to be used if the requirements to the floor indicated in the installation instructions cannot be respected.

Date: 190123	Sign. LJE	Scale: 1:30	No. T82356-GB
UPLIFTING COMPANY			Foundation
<b>AUTOPSTENHOJ</b>			Maestro 2.50/2.60 NxT
			Rev. date: