

F_n	M_x	M_y
20300 N	15750 Nm	16500 Nm

Note !
Forces and moments are stated per post.

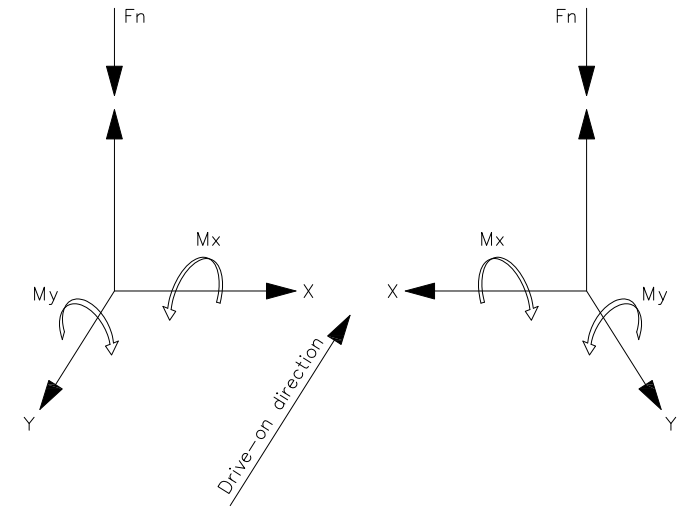
If the lift is to be installed on an existing floor the capacity of the foundation has to be checked by the building owner.

All measures must be checked when the floor is concreted.

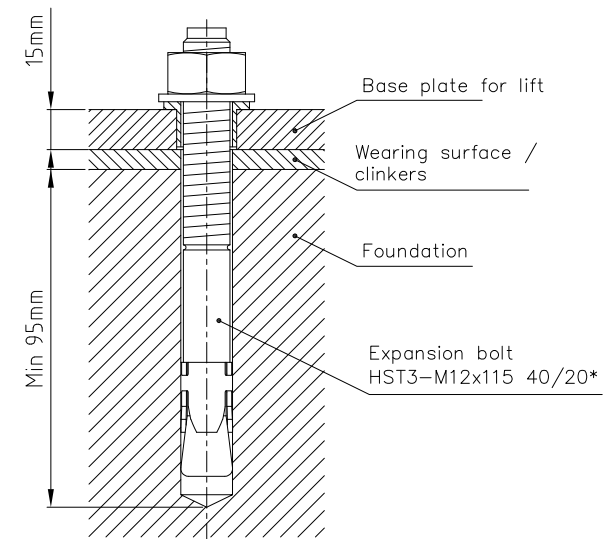
Power supply:
Power 400Vac/3/50Hz
+N, +PE, 16A, slow, 2x1,5kW

Wearing surface /
clinkers

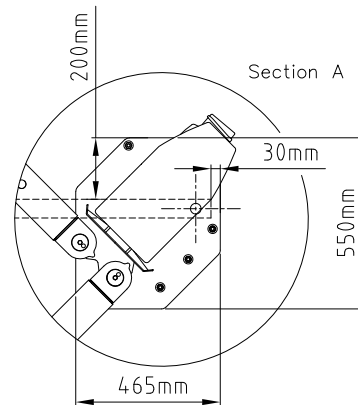
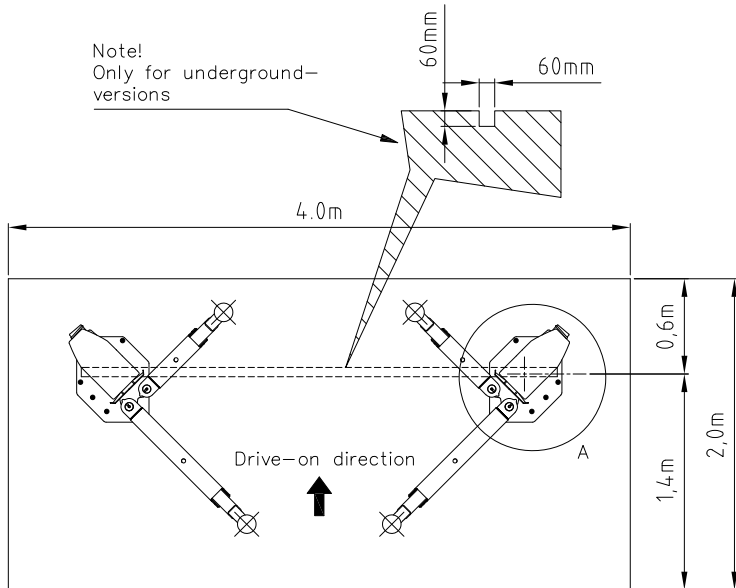
Foundation:
Minimum thickness without wearing surface:
min. 160mm
Quality of concrete: C20/25 (EN206-1).
The forces and moments must be safely
dissipated by on-site measures under
observance of the local conditions.
THE SPECIFICATIONS OF THE RESPONSIBLE
STRUCTURAL ENGINEER ARE AUTHORITATIVE.



*) If alternative attachment is used the properties of this attachment must correspond to the Hilti bolt mentioned.



Note!
Only for underground-
versions



Note !
These instructions are considered as an addendum to the installation instructions of the lift.
They are only to be used if the requirements to the floor indicated in the installation instructions
cannot be respected.

Date: 280415

Sign. LJE

Nr. T82297-GB

UPLIFTING COMPANY

AUTOP STENHOJ

Foundation
Maestro 30-32

Rev. date: 310521