

F_n	M_x	M_y
20192 N	16422 Nm	18862 Nm

Note !
Forces and moments are stated per post.

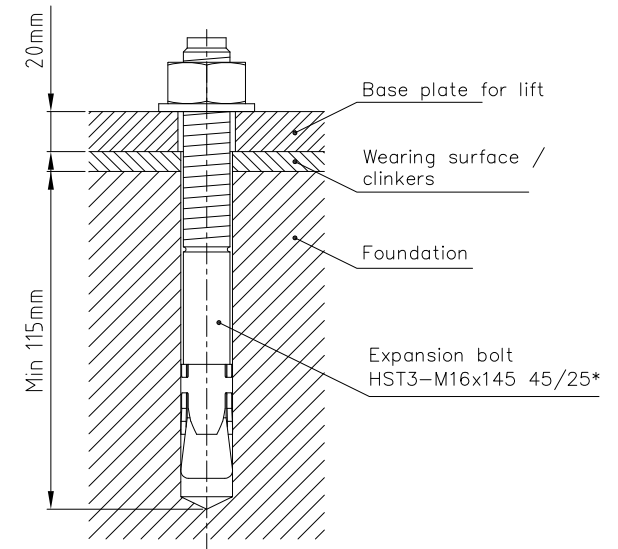
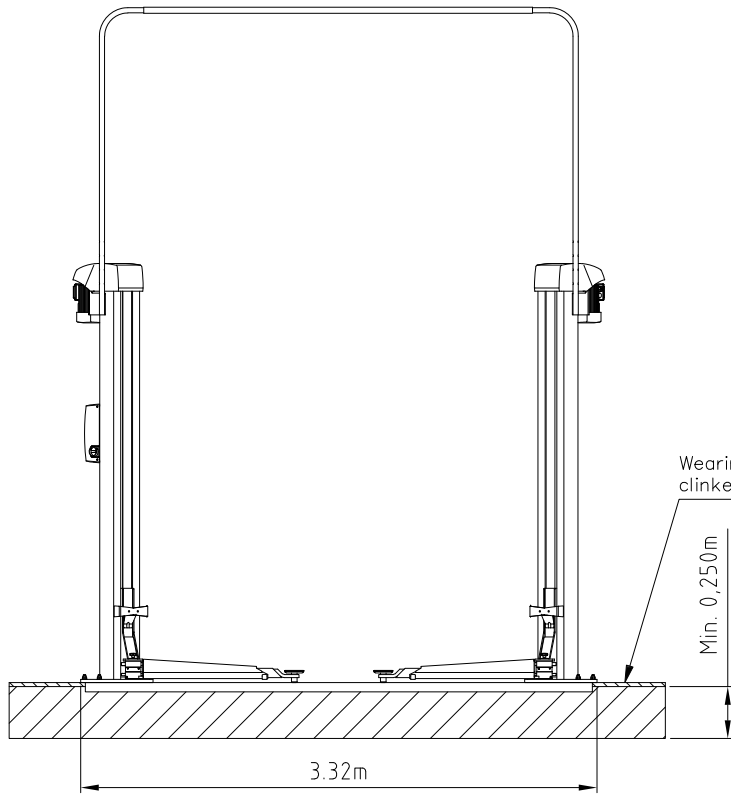
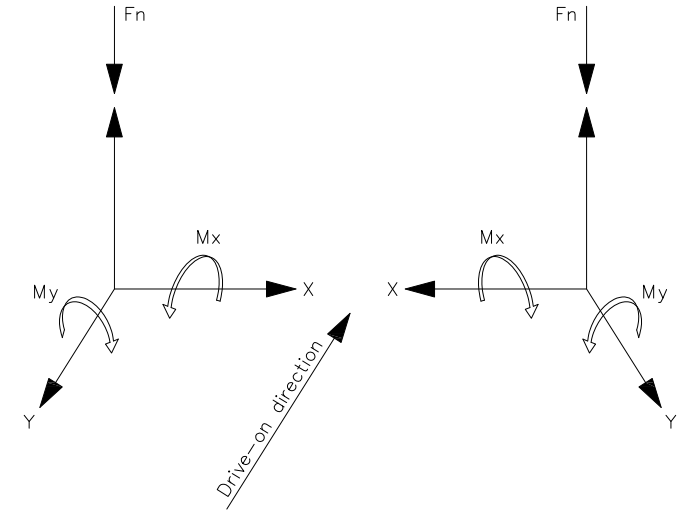
If the lift is to be installed on an existing floor the capacity of the foundation has to be checked by the building owner.

All measures must be checked when the floor is concreted.

Power supply:
Power 400Vac/3/50Hz
+N, +PE, 25A, slow, 2x2,8kW

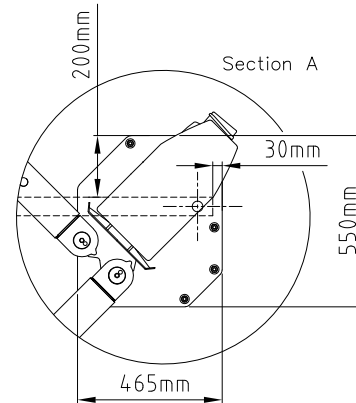
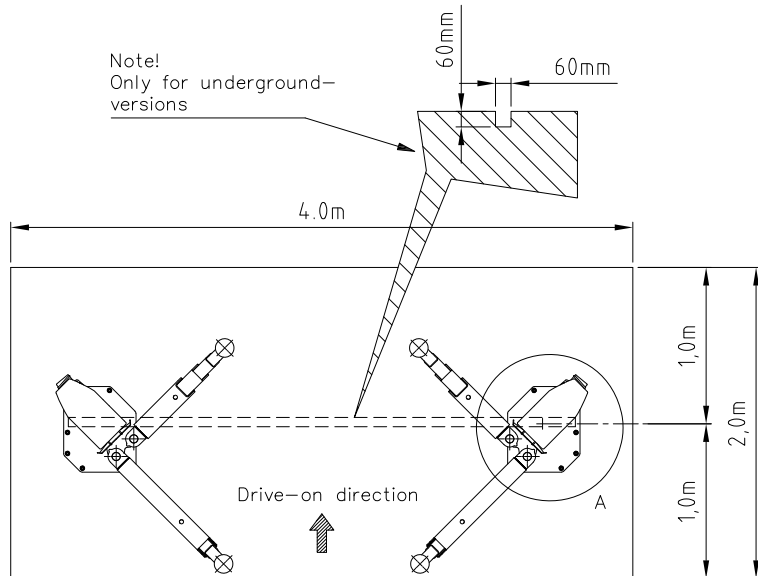
Wearing surface /
clinkers

Foundation:
Minimum thickness without wearing surface:
min. 250mm.
Quality of concrete: C20/25 (EN206-1).
The forces and moments must be safely
dissipated by on-site measures under
observance of the local conditions.
THE SPECIFICATIONS OF THE RESPONSIBLE
STRUCTURAL ENGINEER ARE AUTHORITATIVE.



*) If alternative attachment is used the properties of this attachment must correspond to the Hilti bolt mentioned.

Note!
Only for underground-
versions



Date: 290415

Sign. LJE

Scale:

No. T82298-GB

UPLIFTING COMPANY

AUTOPSTENHOJ

Foundation
Maestro 35

Rev. date: 310521